



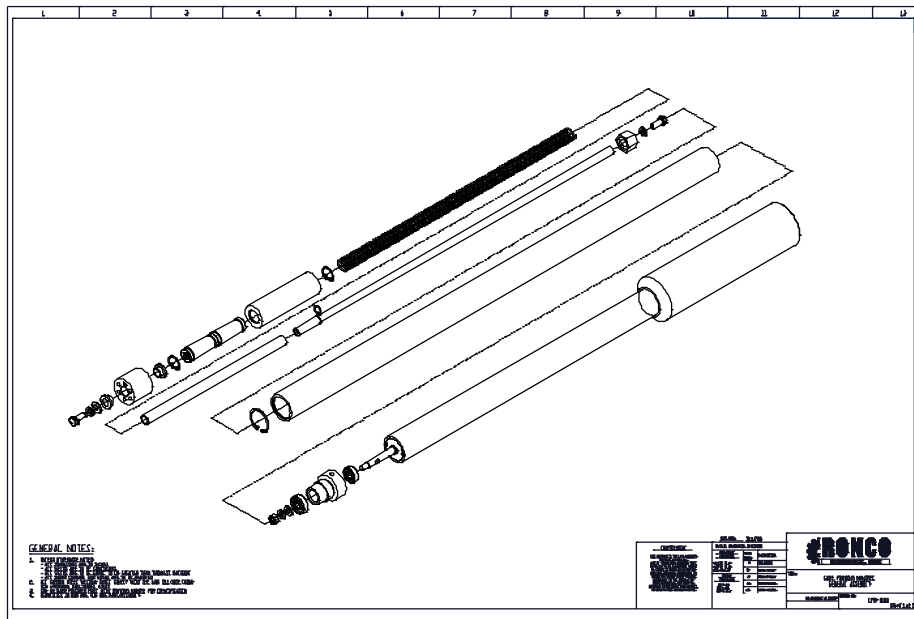
PO Box 1448  
St. Augustine, FL 32085  
[www.roncomachine.com](http://www.roncomachine.com)

(p) 904-417-6198  
(f) 904-827-9795  
[sales@roncomachine.com](mailto:sales@roncomachine.com)

## Ronco Machine Announces support for all brands of Core Makers Our offerings now include replacement core winder mandrels

Ronco Machine, Inc. is pleased to announce that we are now able to support all brands of core making equipment. Ronco Machine provides modifications and upgrades to all brands of core making equipment. These upgrades and modifications include: standalone extruded one ply glue units, standalone extruded one ply glue units with built in unwind stand, new guarding and safety upgrades, electrical upgrades and most recently we have begun offering **winding mandrels** for both Perini and Gambini style core makers.

These mandrel are manufactured using the highest grade of steel and bearings. These mandrels and be provided with either chrome or tungsten plating.



Sample of fixed cutoff mandrel design

### Benefits

- 1.) Quick turnaround, delivery for these mandrels is normally 6 to 8 weeks.
- 2.) Designed to allow for quick change of slide bearings and cut off anvil
- 3.) Low cost vs OEM
- 4.) Parts list included and replacement parts available.

Please contact us by phone at 904-827-6198 or via email at [sales@roncomachine.com](mailto:sales@roncomachine.com) to receive pricing on replacement mandrels for your core winder, regardless of brand.

If you are not the person responsible for maintaining the core winders at your facility, please forward this bulletin to the proper person.

Thank You,

Ronco Machine, Inc.